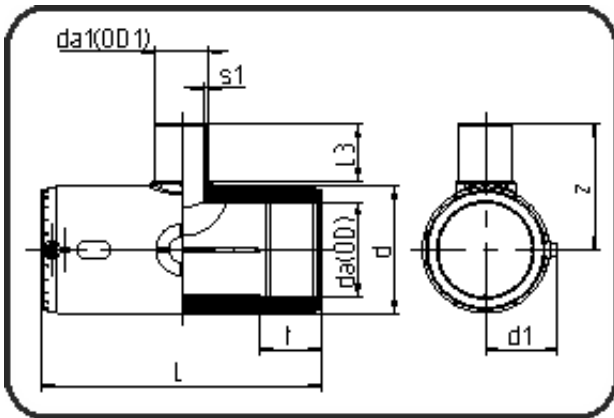


Electro Fusion Fittings



Code: 175

- E-Tee reduced
- MOP water 16bar/gas 10bar
- W/P-TW
- injection moulded
- **Electro-fusion**
- **PE 100-RC black**

Dimension	Code	Detail	Weight
110/63	70.175.1163.11	110/63 SDR 17-11	2.39

	Unit	Nominale	Tol+	Tol-
da(OD)	mm	110	0.70	0.00
L	mm	326,5	4.50	0.00
L3	mm	66	2.25	2.25
d	mm	148,5	1.50	1.50
d1	mm	85	1.50	1.50
t	mm	71,5	1.50	1.50
s1	mm	5,8	0.70	0.00
da(OD1)	mm	63	0.40	0.00
z	mm	148,5	2.25	2.25