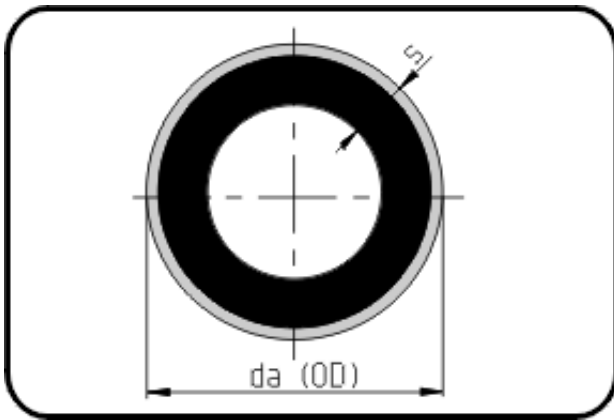


SURELINE II Pipes



Code: 712.1

- Pipe black 12m
- with blue signal layer
- extruded
- PE 100-RC SURELINE II

From dim. 250 not available from stock - delivery time on request.

Dimension	Code	Detail	Weight
1200	70.712.1120.11	1200X108,9 SDR11 ISO S-5	382.00

	Unit	Nominale	Tol+	Tol-
da(OD)	mm	1.200	0.00	0.00
s	mm	108,9	16.40	0.00