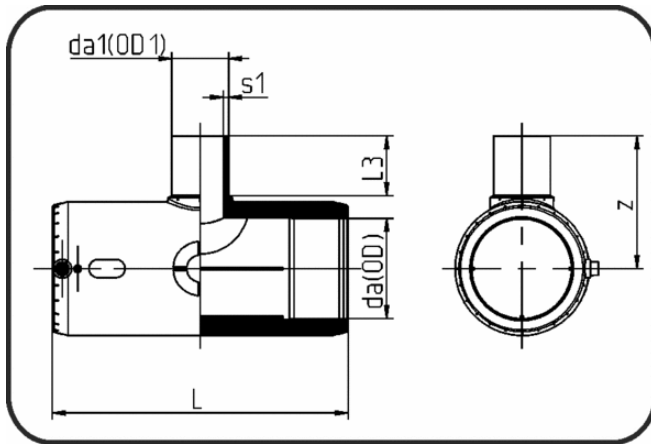


Electro Fusion Fittings



Code: 175

- E-Tee reduced
- MOP water 16bar/gas 10bar
- W/P-TW
- injection moulded
- **Electro-fusion**
- **PE 100-RC black**

Dimension	Code	Detail	da(OD) mm	da(OD1) mm	L mm	L3 mm	s1 mm	z mm	Weight
25/20	70.175.2520.11	25/20 SDR 11	25	20	110,5	42,5	3	66	0.08
32/20	70.175.3220.11	32/20 SDR 11	32	20	122,5	42,5	3	70	0.12
32/25	70.175.3225.11	32/25 SDR 11	32	25	122,5	42,5	3	70	0.12
40/20	70.175.4020.11	40/20 SDR 11	40	20	138	42,5	3	77	0.19
40/25	70.175.4025.11	40/25 SDR 11	40	25	138	42,5	3	77	0.19
40/32	70.175.4032.11	40/32 SDR 11	40	32	138	47	3	82	0.19
50/20	70.175.5020.11	50/20 SDR 11	50	20	160	42,5	3	82	0.27
50/25	70.175.5025.11	50/25 SDR 11	50	25	160	42,5	3	82	0.28
50/32	70.175.5032.11	50/32 SDR 11	50	32	160	47	3	87	0.28
50/40	70.175.5040.11	50/40 SDR 11	50	40	160	50,5	3,7	92	0.28
63/20	70.175.6320.11	63/20 SDR 17-11	63	20	185,5	42,5	3	91,5	0.50
63/25	70.175.6325.11	63/25 SDR 17-11	63	25	185,5	42,5	3	91,5	0.48
63/32	70.175.6332.11	63/32 SDR 17-11	63	32	185,5	47	3	96,5	0.48
63/40	70.175.6340.11	63/40 SDR 17-11	63	40	185,5	50,5	3,7	99,5	0.49
63/50	70.175.6350.11	63/50 SDR 17-11	63	50	185,5	58	4,6	110	0.50
75/50	70.175.7550.11	75/50 SDR 17-11	75	50	209	58	4,6	116	0.58
75/63	70.175.7563.11	75/63 SDR 17-11	75	63	209	66	5,8	122,5	0.61
90/50	70.175.9050.11	90/50 SDR 17-11	90	50	291,5	58	4,6	127	1.55
90/63	70.175.9063.11	90/63 SDR 17-11	90	63	291,5	66	5,8	135	1.58
110/63	70.175.1163.11	110/63 SDR 17-11	110	63	326,5	66	5,8	148,5	2.39
110/90	70.175.1190.11	110/90 SDR 17-11	110	90	326,5	91	8,2	181	2.60
125/63	70.175.1263.11	125/63 SDR 17-11	125	63	347,5	66	5,8	157	3.34
125/90	70.175.1290.11	125/90 SDR 17-11	125	90	347,5	91	8,2	192	3.47
125/110	70.175.1211.11	125/110 SDR 17-11	125	110	347,5	101	10	202	3.58
160/63	70.175.1663.11	160/63 SDR 17-11	160	63	370,5	66	5,8	180	5.50
160/90	70.175.1690.11	160/90 SDR 17-11	160	90	370,5	91	8,2	214	5.54
160/110	70.175.1611.11	160/110 SDR 17-11	160	110	370,5	101	10	224	5.71
160/125	70.175.1612.11	160/125 SDR 17-11	160	125	370,5	111	11,4	233	5.84