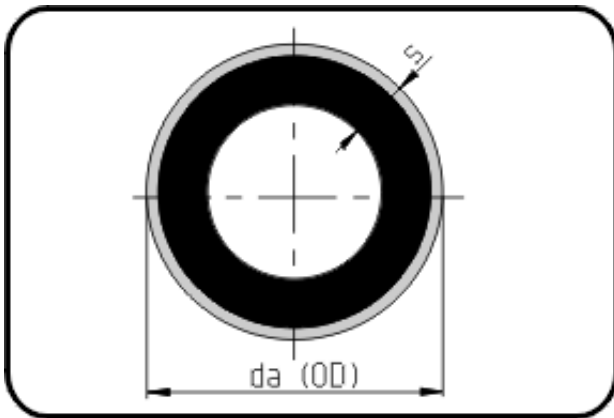


## SURELINE II Pipes



Code: 712.2

- Pipe black 12m
- with green signal layer
- extruded
- PE 100-RC SURELINE II

From dim. 250 not available from stock - delivery time on request.

Dimension	Code	Detail	Weight
560	70.712.2560.17	560X33,2 SDR17 ISO S-8	55.40

	Unit	Nominale	Tol+	Tol-
da(OD)	mm	560	3.40	0.00
s	mm	33,2	3.50	0.00