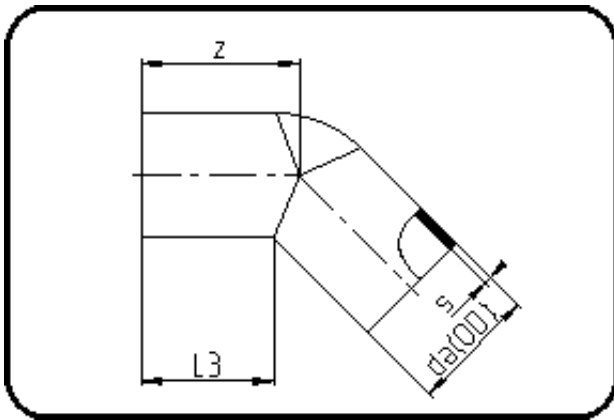


Elongated Fittings



Code: 060

- Elbow 45°
- long spigot
- W/P-TW
- injection moulded
- **Butt + E-socket-welding**
- PE 100-RC black

Dimension	Code	Detail	Weight
160	70.060.0160.17	160X9,5 SDR17 PN10	1.40

	Unit	Nominale	Tol+	Tol-
da(OD)	mm	160	1.00	0.00
L3	mm	114	2.25	2.25
s	mm	9,5	1.10	0.00
z	mm	149	2.25	2.25