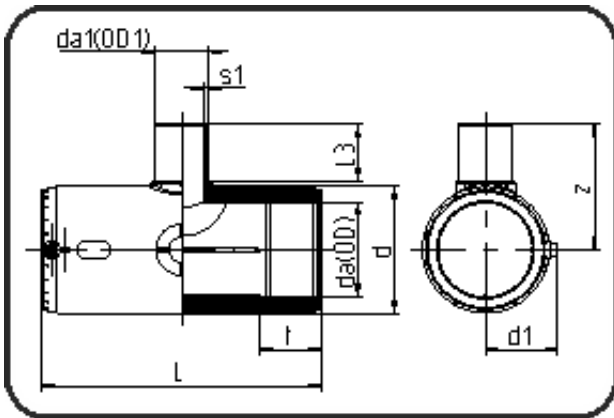


## Electro Fusion Fittings



Code: 175

- **E-Tee reduced**
- MOP water 16bar/gas 10bar
- W/P-TW
- injection moulded
- **Electro-fusion**
- **PE 100-RC black**

Dimension	Code	Detail	Weight
63/20	70.175.6320.11	63/20 SDR 17-11	0.50

	Unit	Nominale	Tol+	Tol-
da(OD)	mm	63	0.40	0.00
L	mm	185,5	3.00	0.00
L3	mm	42,5	1.50	1.50
d	mm	87	0.75	0.75
d1	mm	58,5	1.50	1.50
t	mm	62	1.50	1.50
s1	mm	3	0.40	0.00
da(OD1)	mm	20	0.30	0.00
z	mm	91,5	2.25	2.25