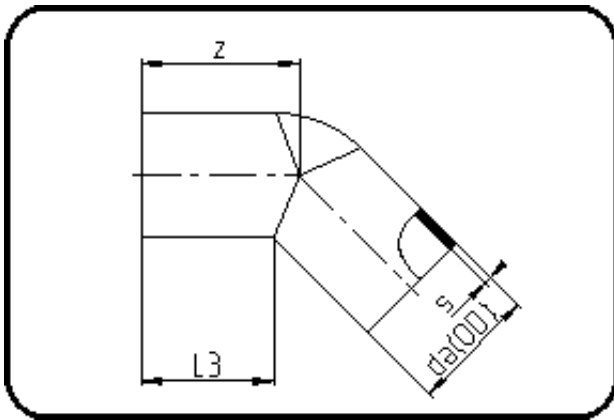


Elongated Fittings



Code: 060

- Elbow 45°
- long spigot
- W/P-TW
- injection moulded
- **Butt + E-socket-welding**
- PE 100-RC black

Dimension	Code	Detail	Weight
160	70.060.0160.11	160X14,6 SDR11 PN16	2.03

	Unit	Nominale	Tol+	Tol-
da(OD)	mm	160	1.00	0.00
L3	mm	116,5	2.25	2.25
s	mm	14,6	1.60	0.00
z	mm	150	4.50	4.50