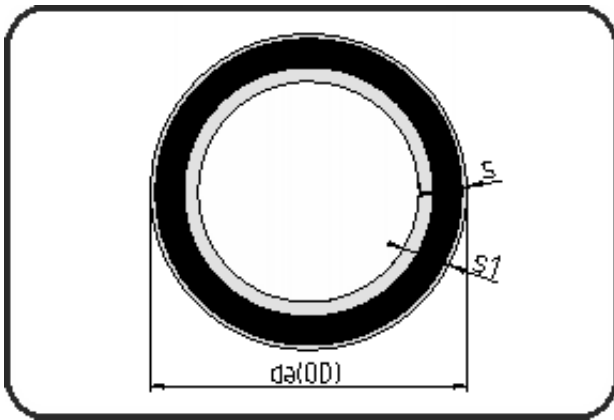


Pipes



Code: 3M.705

- **Mineline II Pipe 5m**
- white signal-layer
- and abrasion-layer
- extruded
- **PE-RC Mineline II**

Not available from stock. Fittings on request.

Dimension	Code	Detail	Weight
225	3M.705.0225.17	225X13,4 SDR17 ISO S-8	12.30

	Unit	Nominale	Tol+	Tol-
da(OD)	mm	225	1.40	0.00
s	mm	13,4	1.50	0.00
s1	mm	18,4	2.50	0.00