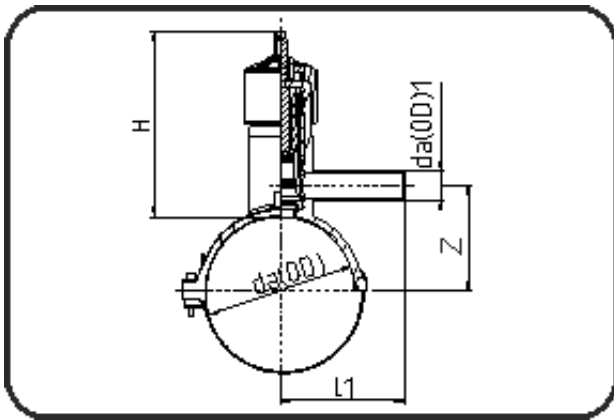


## Saddles



Code: 70.079

- **Pressure Tapping Valve**
- brass-valve+integrated cutter
- W/P-TW
- injection moulded
- **Electro-fusion**
- **PE 100-RC black**

For operating the pressure tapping valve an installation kit is required.

| Dimension | Code           | Detail                  | Weight |
|-----------|----------------|-------------------------|--------|
| 160/32    | 70.079.1632.11 | 160/32 SDR 17 - 11 PN16 | 2.55   |

|         | Unit | Nominale | Tol+ | Tol- |
|---------|------|----------|------|------|
| da(OD)  | mm   | 160      | 0.50 | 0.00 |
| L1      | mm   | 137      | 1.00 | 1.00 |
| h       | mm   | 203      | 0.60 | 0.00 |
| da(OD1) | mm   | 32       | 0.30 | 0.00 |
| z       | mm   | 103,4    | 0.00 | 0.00 |