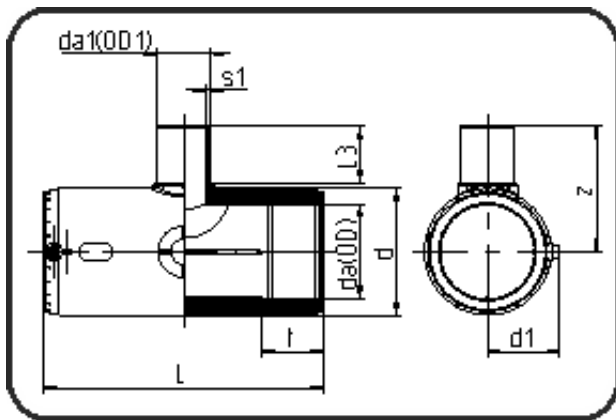


Electro Fusion Fittings



Code: 175

- **E-Tee reduced**
- MOP water 16bar/gas 10bar
- W/P-TW
- injection moulded
- **Electro-fusion**
- **PE 100-RC black**

Dimension	Code	Detail	Weight
90/50	70.175.9050.11	90/50 SDR 17-11	1.55

	Unit	Nominale	Tol+	Tol-
da(OD)	mm	90	0.60	0.00
L	mm	291,5	3.00	0.00
L3	mm	58	1.50	1.50
d	mm	124	1.00	1.00
d1	mm	72,5	1.00	1.00
t	mm	76	1.50	1.50
s1	mm	4,6	0.60	0.00
da(OD1)	mm	50	0.40	0.00
z	mm	127	2.25	2.25