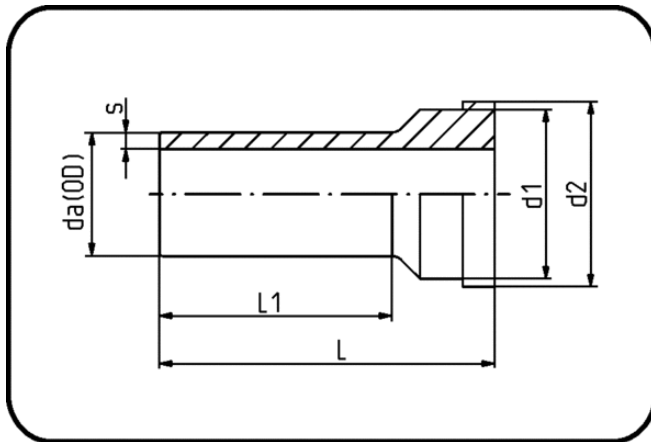


Fittings with short Spigot



Code: 024.2

- Union end
- spare part Union 024
- injection moulded
- **Butt-welding**
- **PE 100-RC black**

Dimension	Code	Detail	da(OD) mm	s mm	L mm	L1 mm	d1 mm	d2 mm	Weight
20	70.024.2020.11	20X2,0 SDR11 ISO S-5	20	2	54	38	27,3	29,9	0.01
25	70.024.2025.11	25X2,3 SDR11 ISO S-5	25	2,3	57	39	35,7	38,6	0.02
32	70.024.2032.11	32X3,0 SDR11 ISO S-5	32	3	60	40	41,3	44,5	0.03
40	70.024.2040.11	40X3,7 SDR11 ISO S-5	40	3,7	65	42	52,6	56,3	0.05
50	70.024.2050.11	50X4,6 SDR11 ISO S-5	50	4,6	67	44	58,6	62,4	0.06
63	70.024.2063.11	63X5,8 SDR11 ISO S-5	63	5,8	69	44	73,6	78	0.10
75	70.024.2075.11	75X6,8 SDR11 ISO S-5	75	6,8	66	37	90	101	0.15
90	70.024.2090.11	90X8,2 SDR11 ISO S-5	90	8,2	66,5	57	90	101	0.17