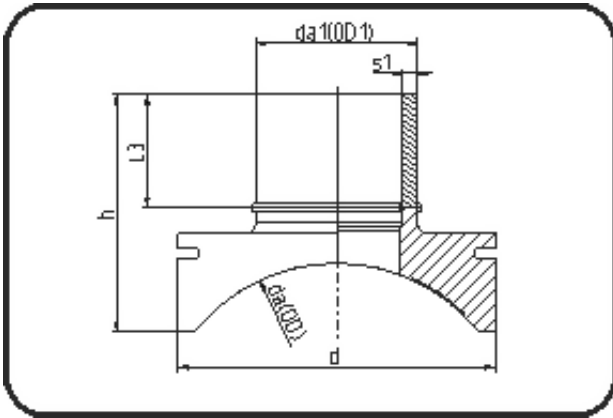


## Saddles



Code: 289

- **Spigot saddle System Topload**

- machined
- **Electro-fusion**
- **PE 100-RC black**

Other MOP on request. Installation Set please see Welding Technology.

| Dimension | Code           | Detail                 | Weight |
|-----------|----------------|------------------------|--------|
| 400/90    | 70.289.4090.09 | 400/90 SDR9 MOP 16 bar | 1.25   |

|         | Unit | Nominale | Tol+  | Tol- |
|---------|------|----------|-------|------|
| da(OD)  | mm   | 400      | 0.00  | 0.00 |
| L3      | mm   | 94       | 10.00 | 0.00 |
| d       | mm   | 200      | 1.00  | 1.00 |
| s1      | mm   | 10,1     | 1.20  | 0.00 |
| h       | mm   | 173      | 10.00 | 0.00 |
| da(OD1) | mm   | 90       | 0.60  | 0.00 |