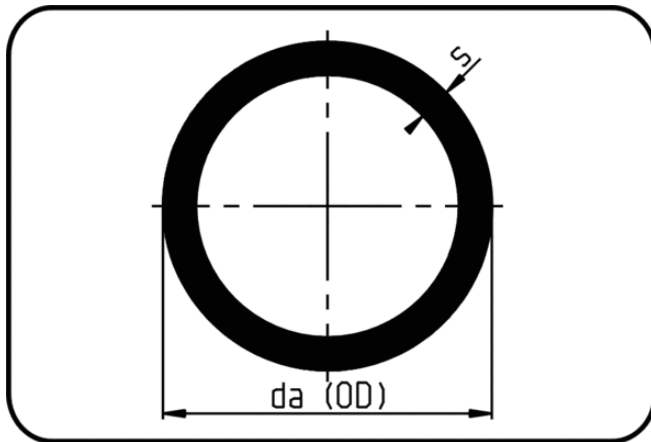


Pipes



Code: 722

- Pipe black 12m
- FM 1613 approved
- 250 psi / 17,5 bar
- extruded
- **PE 100-RC black**

Dimension	Code	Detail	da(OD) mm	s mm	Weight
63	70.722.0063.09	63X7,1 SDR9 ISO-S4	63	7,1	1.30
75	70.722.0075.09	75x8,4 SDR9 ISO-S4	75	8,4	1.80
90	70.722.0090.09	90x10,1 SDR9 ISO-S4	90	10,1	2.60
110	70.722.0110.09	110x12,3 SDR9 ISO-S4	110	12,3	3.80
125	70.722.0125.09	125x14 SDR9 ISO-S4	125	14	4.90
140	70.722.0140.09	140x15,7 SDR9 ISO-S4	140	15,7	6.20
160	70.722.0160.09	160x17,9 SDR9 ISO-S4	160	17,9	8.04
180	70.722.0180.09	180x20,1 SDR9 ISO-S4	180	20,1	10.20
200	70.722.0200.09	200x22,4 SDR9 ISO-S4	200	22,4	12.60
225	70.722.0225.09	225x25,2 SDR9 ISO-S4	225	25,2	15.90
250	70.722.0250.09	250x27,9 SDR9 ISO-S4	250	27,9	19.56
280	70.722.0280.09	280x31,3 SDR9 ISO-S4	280	31,3	24.60
315	70.722.0315.09	315x35,2 SDR9 ISO-S4	315	35,2	31.10
355	70.722.0355.09	355x39,7 SDR9 ISO-S4	355	39,7	39.50
400	70.722.0400.09	400x44,7 SDR9 ISO-S4	400	44,7	50.10
450	70.722.0450.09	450x50,3 SDR9 ISO-S4	450	50,3	63.40
500	70.722.0500.09	500x55,8 SDR9 ISO-S4	500	55,8	78.10
560	70.722.0560.09	560x62,5 SDR9 ISO-S4	560	62,5	98.00
630	70.722.0630.09	630x70,3 SDR9 ISO-S4	630	70,3	124.00