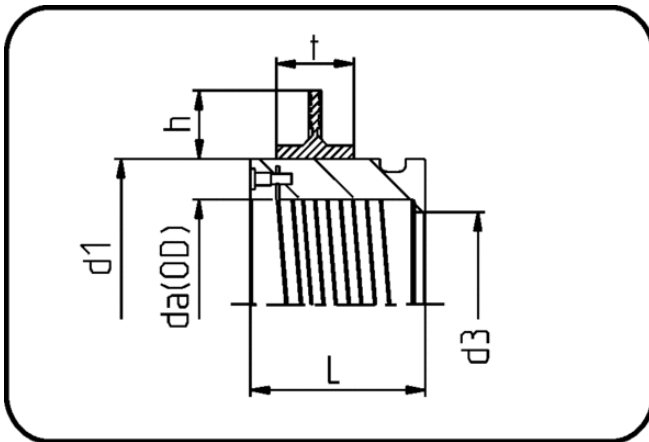


Electro Fusion Fittings



Code: 178.1

- **Concrete Connection Socket**
- with assembled puddle flange
- machined
- **Electro-fusion**
- **PE 100-RC black**

Dimension	Code	Detail	da(OD) mm	L mm	d1 mm	d3 mm	h mm	t mm	Weight
160	70.178.1160.33	160 SDR 33-11	160	135	197	151	50	60	2.14
225	70.178.1225.33	225 SDR 33-11	225	135	272	212	50	60	3.38
280	70.178.1280.33	280 SDR 33-11	280	135	345	264	50	60	5.20
355	70.178.1355.33	355 SDR 33-11	355	135	440	338	37,5	75	8.60
450	70.178.1450.33	450 SDR 33-17	450	135	494	430	37,5	75	6.65
560	70.178.1560.33	560 SDR 33-17	560	135	620	540	37,5	75	10.60