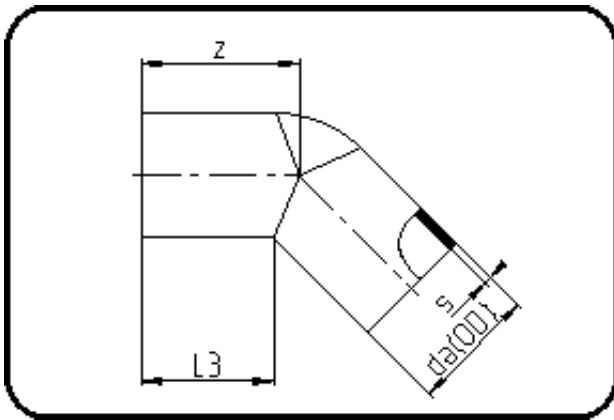


## Elongated Fittings



Code: 060

- Elbow 45°
- long spigot
- W/P-TW
- injection moulded
- **Butt + E-socket-welding**
- PE 100-RC black

Dimension	Code	Detail	Weight
110	70.060.0110.11	110X10,0 SDR11 PN16	0.76

	Unit	Nominale	Tol+	Tol-
da(OD)	mm	110	0.70	0.00
L3	mm	82	1.50	1.50
s	mm	10	1.10	0.00
z	mm	108	1.50	1.50