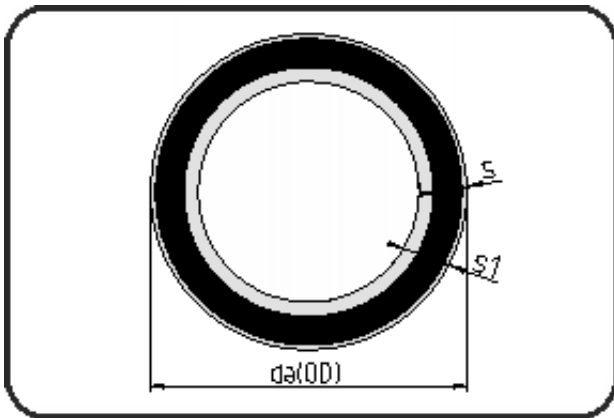


## Pipes



Code: 3M.705

- Minline II Pipe 5m
- white signal-layer and abrasion-layer
- extruded
- PE-RC Minline II

Not available from stock. Fittings on request.

| Dimension | Code           | Detail                 | Weight |
|-----------|----------------|------------------------|--------|
| 500       | 3M.705.0500.17 | 500x29,7 SDR17 ISO S-8 | 52.80  |

|          | Unit | Nominale | Tol+ | Tol- |
|----------|------|----------|------|------|
| $da(OD)$ | mm   | 500      | 3.00 | 0.00 |
| s        | mm   | 29,7     | 3.10 | 0.00 |
| s1       | mm   | 35,7     | 4.20 | 0.00 |