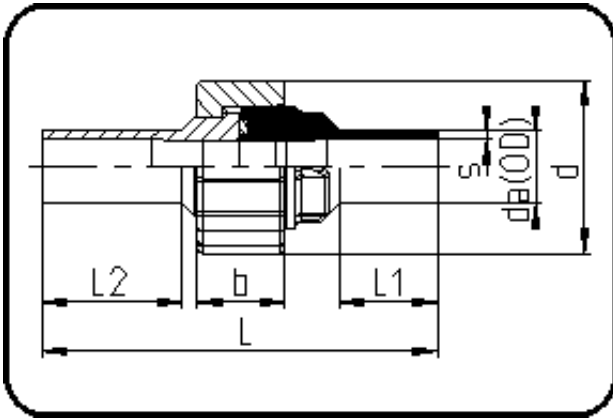


## Fittings with short Spigot



Code: 024

- Union Type 24
- FPM-sealing
- injection moulded
- **Butt-welding**
- PE 100-RC black

Dim. 75 and 90 with PVDF-Union nut.

Dimension	Code	Detail	Weight
32	70.024.0132.11	32 SDR11 ISO S-5	0.10

	Unit	Nominale	Tol+	Tol-
da(OD)	mm	32	0.00	0.00
L	mm	120	3.00	3.00
L1	mm	25	1.50	1.50
L2	mm	39	1.50	1.50
b	mm	30	0.75	0.75
s	mm	3	0.00	0.00
d	mm	64	1.50	1.50