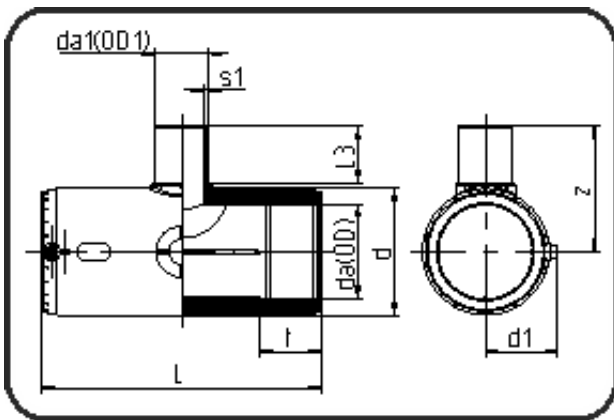


Electro Fusion Fittings



Code: 175

- E-Tee reduced
- MOP water 16bar/gas 10bar
- W/P-TW
- injection moulded
- **Electro-fusion**
- **PE 100-RC black**

Dimension	Code	Detail	Weight
125/110	70.175.1211.11	125/110 SDR 17-11	3.58

	Unit	Nominale	Tol+	Tol-
da(OD)	mm	125	0.80	0.00
L	mm	347,5	3.00	0.00
L3	mm	101	1.50	1.50
d	mm	170	1.00	1.00
d1	mm	93,1	1.50	1.50
t	mm	86	1.50	1.50
s1	mm	10	1.10	0.00
da(OD1)	mm	110	0.70	0.00
z	mm	202	2.25	2.25