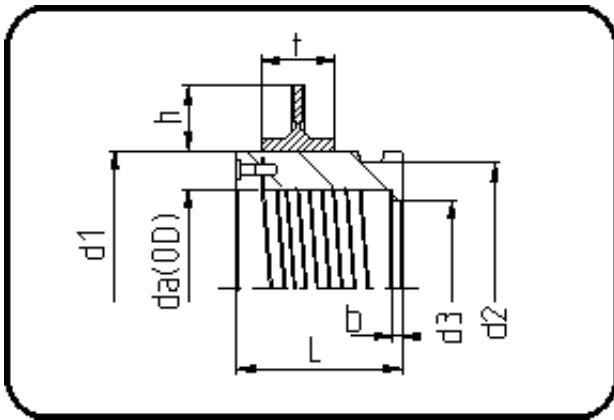


Electro Fusion Fittings



Code: 178.1

- **Concrete Connection Socket**
- with assembled puddle flange
- machined
- **Electro-fusion**
- **PE 100-RC black**

Dimension	Code	Detail	Weight
355	70.178.1355.33	355 SDR 33-11	8.60

	Unit	Nominale	Tol+	Tol-
da(OD)	mm	355	0.00	0.00
L	mm	135	1.50	1.50
b	mm	8	0.75	0.75
d1	mm	440	1.50	0.00
t	mm	75	0.00	0.00
d3	mm	338	1.50	1.50
d2	mm	425	0.75	0.00
h	mm	37,5	0.00	0.00