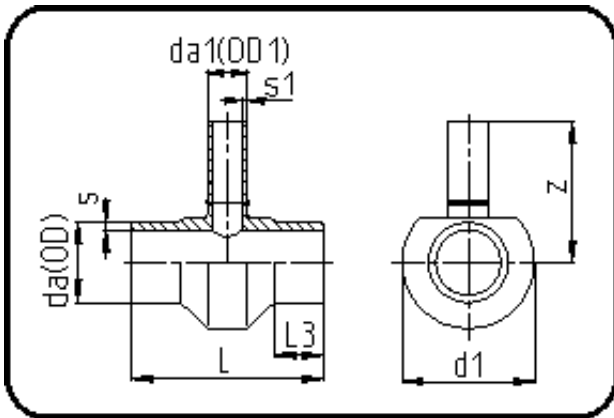


Fittings with short Spigot



Code: 307

- Tee reduced
- short spigot
- machined
- **Butt-welding**
- **PE 100-RC black**

Dimension	Code	Detail	Weight
355/140	70.307.3514.09	355/140 SDR9 ISO S-4	33.00

	Unit	Nominale	Tol+	Tol-
da(OD)	mm	355	3.20	0.00
L	mm	340	2.00	2.00
L3	mm	75	1.00	1.00
s	mm	39,7	4.10	0.00
d1	mm	429	1.00	1.00
s1	mm	15,7	1.70	0.00
da(OD1)	mm	140	1.30	0.00
z	mm	302,5	4.50	4.50