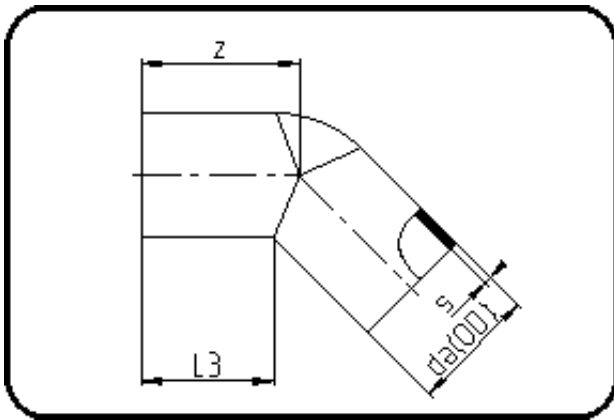


## Elongated Fittings



Code: 060

- Elbow 45°
- long spigot
- W/P-TW
- injection moulded
- **Butt + E-socket-welding**
- PE 100-RC black

Dimension	Code	Detail	Weight
280	70.060.0280.11	280X25,4 SDR11 PN16	9.62

	Unit	Nominale	Tol+	Tol-
da(OD)	mm	280	1.70	0.00
L3	mm	168	4.50	4.50
s	mm	25,4	2.70	0.00
z	mm	238	7.50	7.50