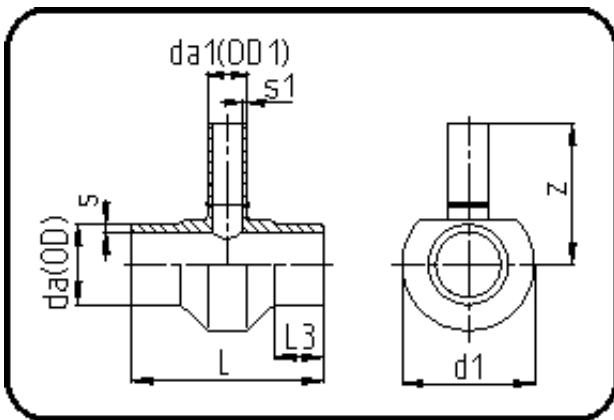


Fittings with short Spigot



Code: 307

- Tee reduced
- short spigot
- machined
- **Butt-welding**
- **PE 100-RC black**

Dimension	Code	Detail	Weight
630/110	70.307.6311.09	630/110 SDR9 ISO S-4	43.30

	Unit	Nominale	Tol+	Tol-
da(OD)	mm	630	5.70	0.00
L	mm	470	4.50	4.50
L3	mm	150	1.50	1.50
s	mm	70,3	7.20	0.00
d1	mm	685	3.00	3.00
s1	mm	12,3	1.40	0.00
da(OD1)	mm	110	1.00	0.00
z	mm	450	15.00	15.00