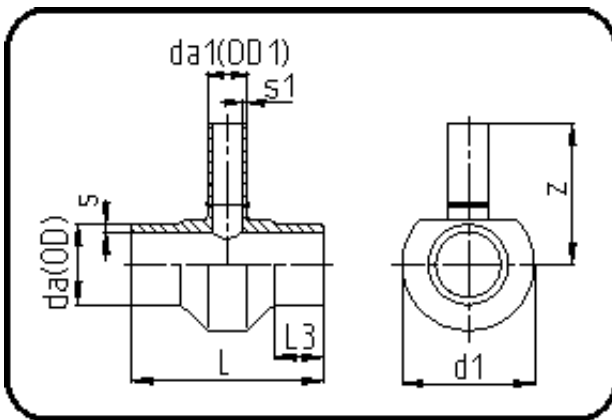


Fittings with short Spigot



Code: 307

- Tee reduced
- short spigot
- machined
- **Butt-welding**
- PE 100-RC black

| Dimension | Code | Detail | Weight |
|-----------|----------------|--------------------------|--------|
| 160/125 | 70.307.1612.07 | 160/125 SDR7,4 ISO S-3,2 | 7.10 |

| | Unit | Nominale | Tol+ | Tol- |
|---------|------|----------|-------|-------|
| da(OD) | mm | 160 | 1.50 | 0.00 |
| L | mm | 275 | 3.00 | 3.00 |
| L3 | mm | 50 | 1.50 | 1.50 |
| s | mm | 21,9 | 2.30 | 0.00 |
| d1 | mm | 245 | 1.50 | 1.50 |
| s1 | mm | 17,1 | 1.90 | 0.00 |
| da(OD1) | mm | 125 | 1.20 | 0.00 |
| z | mm | 205 | 15.00 | 15.00 |