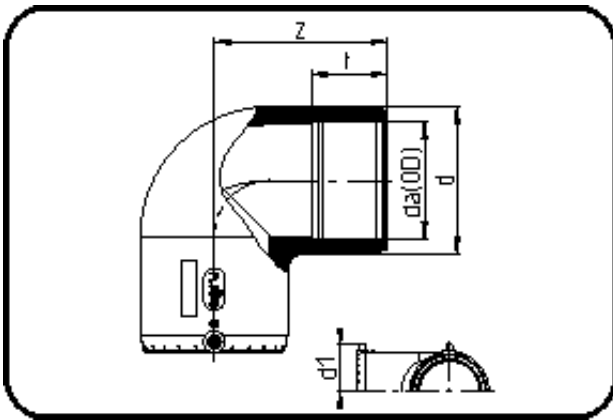


## Electro Fusion Fittings



Code: 171

- **E-Elbow 90°**
- MOP water 16bar/gas 10bar
- W/P-TW
- injection moulded
- **Electro-fusion**
- **PE 100-RC black**

Dimension	Code	Detail	Weight
25	70.171.0025.11	25 SDR 11-7,4	0.06

	Unit	Nominale	Tol+	Tol-
da(OD)	mm	25	0.00	0.00
d	mm	35	0.75	0.75
d1	mm	40	1.50	1.50
t	mm	39,3	1.50	1.50
z	mm	61	2.25	2.25