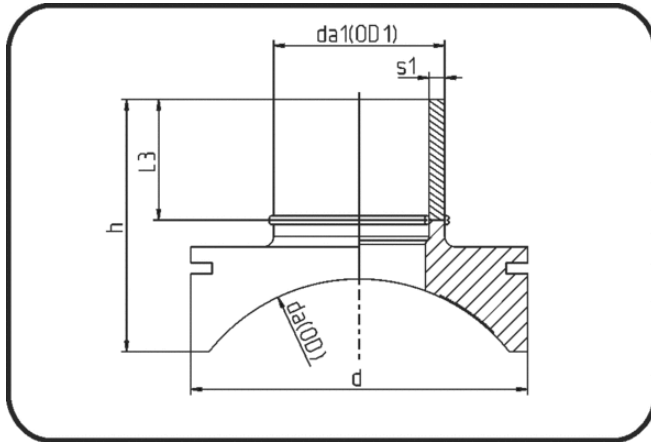


## Saddles



Code: 289

- Spigot saddle System Topload

- machined
- Electro-fusion
- PE 100-RC black

Other MOP as well as further dimensions on request. Installation Set please see Welding Technology.

Dimension	Code	Detail	da(OD) mm	da(OD1) mm	h mm	d mm	s1 mm	L3 mm	Weight
355/125	70.289.3512.11	355/125 SDR11 MOP 16 bar	355	125	209	280	11,4	102	2.98
355/160	70.289.3516.11	355/160 SDR11 MOP 16 bar	355	160	236	315	14,6	113	4.30
355/200	70.289.3520.11	355/200 SDR11 MOP 16 bar	355	200	297	400	18,2	127	7.90
400/63	70.289.4063.11	400/63 SDR11 MOP 16 bar	400	63	157	200	5,8	78	1.05
400/90	70.289.4090.11	400/90 SDR11 MOP 16 bar	400	90	173	200	8,2	94	1.26
400/110	70.289.4011.11	400/110 SDR11 MOP 16 bar	400	110	189	250	10	97	2.20
400/125	70.289.4012.11	400/125 SDR11 MOP 16 bar	400	125	204	280	11,4	102	2.90
400/250	70.289.4025.11	400/250 SDR11 MOP 16 bar	400	250	327	450	22,7	144	13.45
450/63	70.289.4563.11	450/63 SDR11 MOP 16 bar	450	63	155	200	5,8	78	1.16
450/90	70.289.4590.11	450/90 SDR11 MOP 16 bar	450	90	171	200	8,2	94	1.05
450/110	70.289.4511.11	450/110 SDR11 MOP 16 bar	450	110	186	250	10	97	1.82
450/125	70.289.4512.11	450/125 SDR11 MOP 16 bar	450	125	199	280	11,4	102	3.30
450/160	70.289.4516.11	450/160 SDR11 MOP 16 bar	450	160	234	315	14,6	113	4.58
500/63	70.289.5063.11	500/63 SDR11 MOP 16 bar	500	63	152	200	5,8	78	1.07
500/90	70.289.5090.11	500/90 SDR11 MOP 16 bar	500	90	168	200	8,2	94	1.22
500/110	70.289.5011.11	500/110 SDR11 MOP 16 bar	500	110	182	250	10	97	2.00
500/125	70.289.5012.11	500/125 SDR11 MOP 16 bar	500	125	195	280	11,4	102	2.74
500/160	70.289.5016.11	500/160 SDR11 MOP 16 bar	500	160	229	315	14,6	113	4.80
500/200	70.289.5020.11	500/200 SDR11 MOP 16 bar	500	200	272	400	18,2	127	8.40
500/225	70.289.5022.11	500/225 SDR11 MOP 16 bar	500	225	277	400	20,5	135	8.76
560/90	70.289.5690.11	560/90 SDR11 MOP 16 bar	560	90	166	200	8,2	94	1.07
560/110	70.289.5611.11	560/110 SDR11 MOP 16 bar	560	110	179	250	10	97	1.81
560/125	70.289.5612.11	560/125 SDR11 MOP 16 bar	560	125	191	280	11,4	102	2.68
560/160	70.289.5616.11	560/160 SDR11 MOP 16 bar	560	160	223	315	14,6	113	4.38
560/180	70.289.5618.11	560/180 SDR11 MOP 16 bar	560	180	244	355	16,4	120	6.00
560/225	70.289.5622.11	560/225 SDR11 MOP 16 bar	560	225	255	400	20,5	135	8.84
560/250	70.289.5625.11	560/250 SDR11 MOP 16 bar	560	250	300	450	22,7	144	9.42

Dimension	Code	Detail	da(OD) mm	da(OD1) mm	h mm	d mm	s1 mm	L3 mm	Weight
560/280	70.289.5628.11	560/280 SDR11 MOP 16 bar	560	280	328	500	25,4	154	13.22
560/315	70.289.5631.11	560/315 SDR11 MOP 16 bar	560	315	357	560	28,6	165	19.49
630/63	70.289.6363.11	630/63 SDR11 MOP 16 bar	630	63	150	200	5,8	78	1.10
630/90	70.289.6390.11	630/90 SDR11 MOP 16 bar	630	90	166	200	8,2	94	1.18
630/110	70.289.6311.11	630/110 SDR11 MOP 16 bar	630	110	176	250	10	97	2.00
630/125	70.289.6312.11	630/125 SDR11 MOP 16 bar	630	125	188	280	11,4	102	2.60
630/160	70.289.6316.11	630/160 SDR11 MOP 16 bar	630	160	219	315	14,6	113	4.28
630/200	70.289.6320.11	630/200 SDR11 MOP 16 bar	630	200	258	400	18,2	127	7.92
630/280	70.289.6328.11	630/280 SDR11 MOP 16 bar	630	280	318	500	25,4	154	12.41
630/315	70.289.6331.11	630/315 SDR11 MOP 16 bar	630	315	346	560	28,6	165	21.00
710/90	70.289.7190.11	710/90 SDR11 MOP 16 bar	710	90	164	200	8,2	94	1.17
710/110	70.289.7111.11	710/110 SDR11 MOP 16 bar	710	110	214	250	10	97	1.60
710/160	70.289.7116.11	710/160 SDR11 MOP 16 bar	710	160	214	315	14,6	113	4.16
710/225	70.289.7122.11	710/225 SDR11 MOP 16 bar	710	225	257	400	20,5	135	8.00
800/63	70.289.8063.11	800/63 SDR11 MOP 16 bar	800	63	146	200	5,8	78	1.10
800/125	70.289.8012.11	800/125 SDR11 MOP 16 bar	800	125	181	280	11,4	102	2.51
800/160	70.289.8016.11	800/160 SDR11 MOP 16 bar	800	160	211	315	14,6	113	4.10
800/225	70.289.8022.11	800/225 SDR11 MOP 16 bar	800	225	252	400	20,5	135	7.80
800/250	70.289.8025.11	800/250 SDR11 MOP 16 bar	800	250	276	450	22,7	144	10.50
800/315	70.289.8031.11	800/315 SDR11 MOP 16 bar	800	315	325	560	28,6	165	18.40
900/280	70.289.9028.11	900/280 SDR11 MOP 16 bar	900	280	293	500	25,4	154	13.60
1000/160	70.289.1016.11	1000/160 SDR11 MOP 16 bar	1.000	160	214	315	14,6	113	4.68
1000/200	70.289.1020.11	1000/200 SDR11 MOP 16 bar	1.000	200	246	400	18,2	127	8.20
1000/225	70.289.1022.11	1000/225 SDR11 MOP 16 bar	1.000	225	253	400	20,5	165	8.76
1000/250	70.289.1025.11	1000/250 SDR11 MOP 16 bar	1.000	250	274	450	22,7	144	11.20
1000/315	70.289.1031.11	1000/315 SDR11 MOP 16 bar	1.000	315	318	560	28,6	165	19.80
1000/355	70.289.1035.11	1000/355 SDR11 MOP 16 bar	1.000	355	355	560	32,2	179	27.20
1200/110	70.289.1211.11	1200/110 SDR11 MOP 16 bar	1.200	110	166	250	10	97	1.49
1200/315	70.289.1231.11	1200/315 SDR11 MOP 16 bar	1.200	315	336	560	28,6	165	23.90
1200/355	70.289.1235.11	1200/355 SDR11 MOP 16 bar	1.200	355	370	630	32,2	179	33.40
1400/110	70.289.1411.11	1400/110 SDR11 MOP 16 bar	1.400	110	164	250	10	97	2.64
1400/400	70.289.1440.11	1400/400 SDR11 MOP 16 bar	1.400	400	371	630	36,3	194	21.46
1600/450	70.289.1645.11	1600/450 SDR11 MOP 8 bar	1.600	450	398	710	40,9	210	30.20
1800/500	70.289.1850.17	1800/500 SDR17 MOP 5 bar	1.800	500	462	800	29,7	227	35.98
2000/560	70.289.2056.17	2000/560 SDR17 MOP 5 bar	2.000	560	477	900	33,2	250	50.63
2250/630	70.289.2263.17	2250/630 SDR17 MOP 5 bar	2.250	630	490	1.000	37,4	270	70.89
2500/710	70.289.2571.17	2500/710 SDR17 MOP 3 bar	2.500	710	513	1.120	42,1	270	94.93