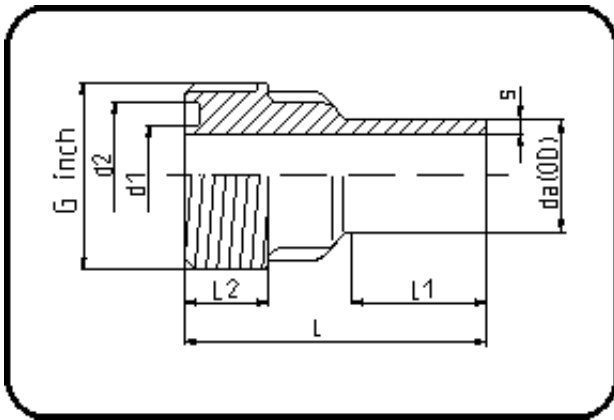


Fittings with short Spigot



Code: 024.3

- Union bush
- spare part Union 024
- injection moulded
- **Butt-welding**
- **PE 100-RC black**

Dimension	Code	Detail	Weight
50	70.024.3050.11	50X4,6 SDR11 ISO S-5	0.07

	Unit	Nominale	Tol+	Tol-
da(OD)	mm	50	0.50	0.00
L	mm	66	1.50	1.50
L1	mm	25	1.50	1.50
G	inch	2,25	0.00	0.00
L2	mm	22	1.50	1.50
s	mm	4,6	0.60	0.00
d1	mm	44,3	0.30	0.30
d2	mm	56,7	0.30	0.30