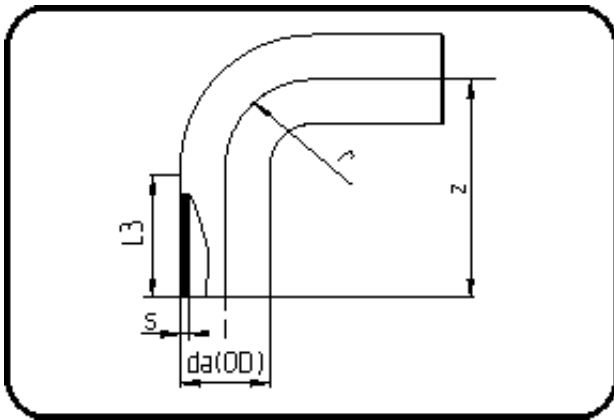


MULTI Fittings



Code: 068

- **MULTI-Bend 90°**
- long spigot
- injection moulded
- **Butt + IR + HPF-welding**
- **PVDF natural**

Dimension	Code	Detail	Weight
20	30.068.0020.21	20X1,9 SDR21 ISO S-10	0.02

	Unit	Nominale	Tol+	Tol-
da(OD)	mm	20	0.30	0.00
L3	mm	32	1.50	0.00
r	mm	20	0.00	0.00
s	mm	1,9	0.40	0.00
z	mm	51	1.50	1.50