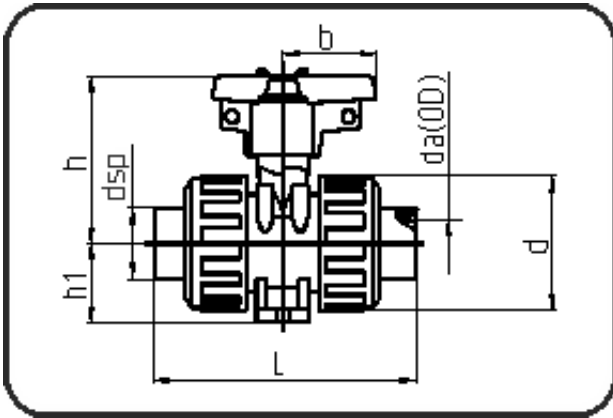


## Valves



Code: 363.13

- **Ball Valve M1**
- FPM-sealing
- injection moulded
- **Socket-welding**
- **PVDF natural**

Dimension	Code	Detail	Weight
50	30.363.1350.21	50 - MOP 16 bar	1.41

	Unit	Nominale	Tol+	Tol-
da(OD)	mm	50	0.00	0.00
L	mm	165	1.50	1.50
h1	mm	56,5	1.00	1.00
b	mm	73	0.75	0.75
dsp	mm	58,6	1.00	1.00
d	mm	105,5	0.75	0.75
t	mm	25	0.75	0.75
h	mm	113	0.75	0.75