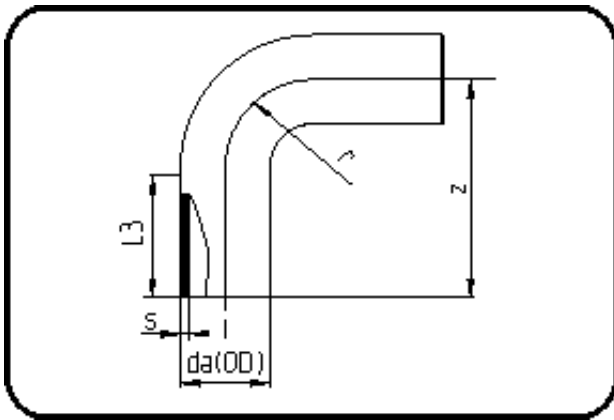


MULTI Fittings



Code: 068

- **MULTI-Bend 90°**
- long spigot
- injection moulded
- **Butt + IR-welding**
- **ECTFE natural**

Dimension	Code	Detail	Weight
110	40.068.0110.21	110X5,3 SDR21 ISO S-10	0.83

	Unit	Nominale	Tol+	Tol-
da(OD)	mm	110	1.00	0.00
L3	mm	34	1.50	1.50
r	mm	110	0.00	0.00
s	mm	5,3	0.80	0.00
z	mm	142	1.50	1.50