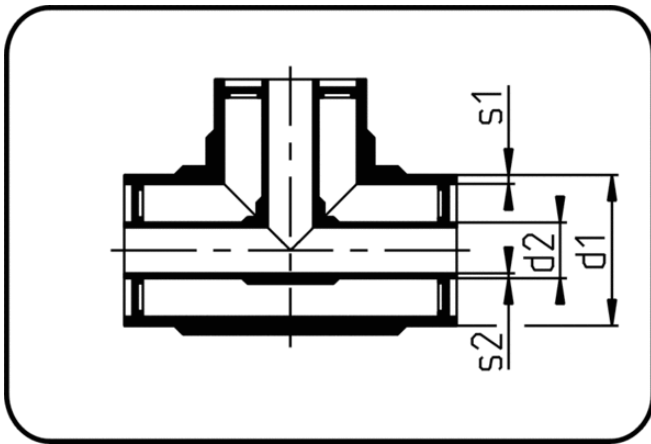


PP/PP Simultaneous Welding



Code: 106

- Tee
- injection moulded+assembled
- **Simultaneous-welding**
- PP/PP

Dimension	Code	Detail	SDR1	SDR2	s1 mm	s2 mm	d1 mm	d2 mm	Weight
160/90	80.106.1690.37	160/90 SDR33/17	33	17	4,9	5,4	160	90	1.80
160/90	80.106.1690.31	160/90 SDR33/11	33	11	4,9	8,2	160	90	1.96
280/160	80.106.2816.31	280/160 SDR33/11	33	11	8,6	14,6	280	160	10.20
315/200	80.106.3120.31	315/200 SDR33/11	33	11	9,7	18,2	315	200	16.40
355/250	80.106.3525.31	355/250 SDR33/11	33	11	10,9	22,7	355	250	37.60