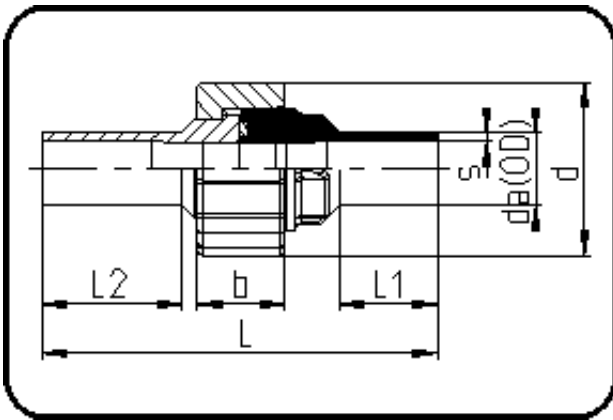


Fittings



Code: 024

- Union Type 24
- FPM-sealing with FDA Approval
- injection moulded
- **Butt + IR-welding**
- ECTFE natural

Dimension	Code	Detail	Weight
50	40.024.0050.21	50x3,0 SDR21 ISO S-10	0.34

	Unit	Nominale	Tol+	Tol-
da(OD)	mm	50	0.00	0.00
L	mm	132	3.00	3.00
L1	mm	25	1.50	1.50
L2	mm	40	1.50	1.50
b	mm	35	1.50	1.50
s	mm	3	0.00	0.00
d	mm	89	1.50	1.50