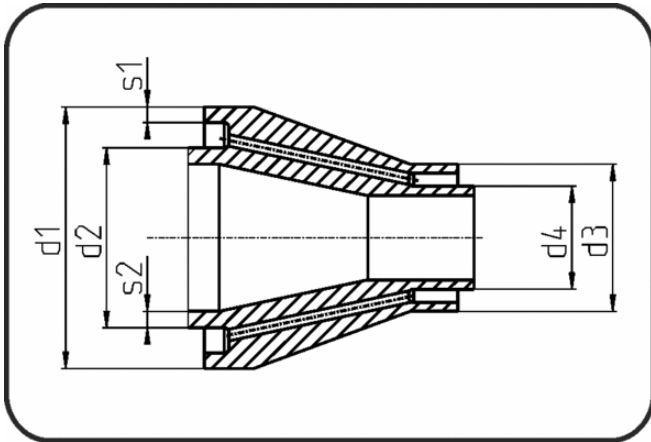


PE 100-RC Poly-Flo



Code: 198

- Poly-Flo Reducer
- concentric
- machined
- simultaneous + cascade welding
- PE 100-RC black

Dimension	Code	Detail	d1 mm	d2 mm	d3 mm	d4 mm	s1 mm	s2 mm	Weight
63/32	70.198.6332.71	90/63-50/32 SDR17/11	90	63	50	32	5,4	5,8	0.28
110/63	70.198.1163.71	160/110-90/63 SDR17/11	160	110	90	63	9,5	10	1.33
110/63	70.198.1163.37	160/110-90/63 SDR33/17	160	110	90	63	4,9	6,6	1.05
160/110	70.198.1611.37	225/160-160/110 SDR33/17	225	160	160	110	6,9	9,5	2.82
160/110	70.198.1611.71	225/160-160/110 SDR17/11	225	160	160	110	13,4	14,6	3.60