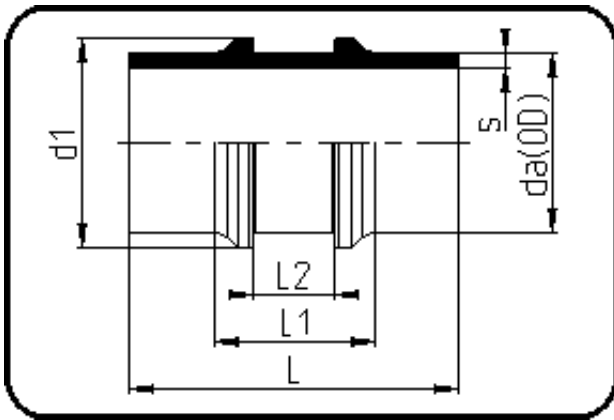


Fittings



Code: 028

- **Restrained Fitting**
- injection moulded
- **Butt + IR + HPF-welding**
- **PVDF natural**

Dimension	Code	Detail	Weight
32	30.028.0032.21	32X2,4 SDR21 ISO S-10	0.07

	Unit	Nominale	Tol+	Tol-
da(OD)	mm	32	0.30	0.00
L	mm	120	1.50	1.50
L1	mm	70	0.75	0.75
L2	mm	31,5	0.75	0.00
s	mm	2,4	0.50	0.00
d1	mm	40,5	0.00	0.75
da	inch	1	0.00	0.00