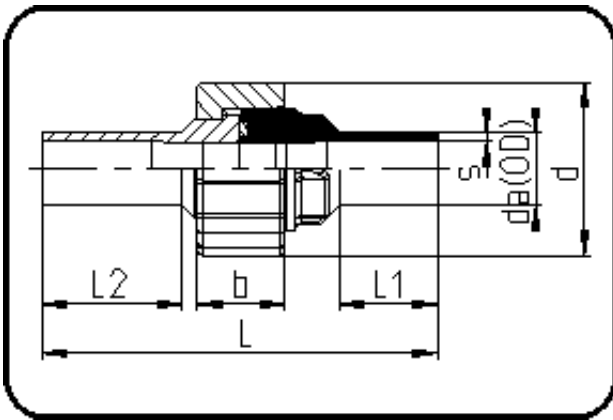


Fittings with short Spigot



Code: 024

- Union Type 24
- FPM-sealing
- with PVDF nut
- injection moulded
- **Butt-welding**
- PPR grey

Dim. 75 and 90 with PVDF-Union nut.

Dimension	Code	Detail	Weight
75	11.024.0175.11	75X6,8 SDR11 ISO S-5	0.59

	Unit	Nominale	Tol+	Tol-
da(OD)	mm	75	3.00	3.00
L	mm	132	3.00	3.00
L1	mm	28	1.50	1.50
L2	mm	37	1.50	1.50
b	mm	40	0.75	0.75
s	mm	6,8	3.00	3.00
d	mm	130	1.50	1.50