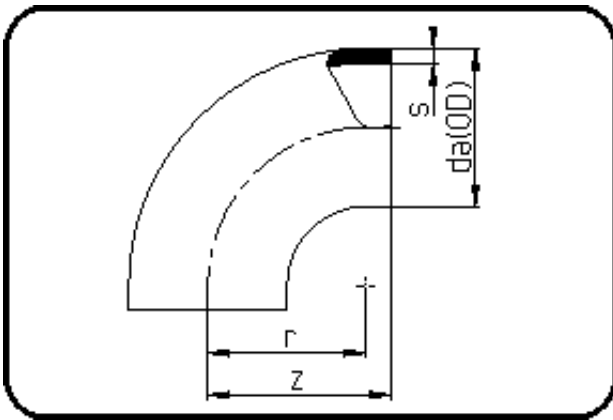


## Fittings with short Spigot



Code: 001

- Bend 90°
- short spigot
- flame retardant & el-conduct.
- injection moulded
- **Butt-welding**
- **PPs-el black**

Dimension	Code	Detail	Weight
110	19.001.0110.11	110X10,0 SDR11 MOP<6bar	0.74

	Unit	Nominale	Tol+	Tol-
da(OD)	mm	110	1.00	0.00
r	mm	110	0.00	0.00
s	mm	10	1.10	0.00
z	mm	124	3.00	3.00