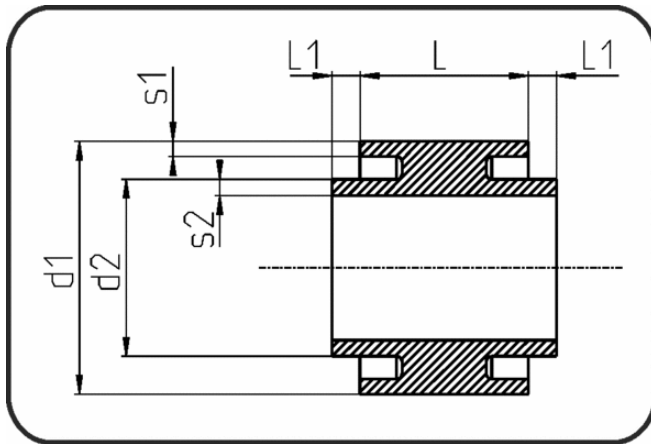


PE 100-RC Poly-Flo



Code: 195

- Poly-Flo Dog Bone
- solid
- machined
- simultaneous + cascade welding
- PE 100-RC black

Dimension	Code	Detail	L mm	s1 mm	s2 mm	d1 mm	d2 mm	Weight
50/32	70.195.5032.71	50/32 SDR17/11	50	3	3	50	32	0.06
90/63	70.195.9063.71	90/63 SDR17/11	60	5,4	5,8	90	63	0.24
160/110	70.195.1611.71	160/110 SDR17/11	80	9,5	10	160	110	1.01