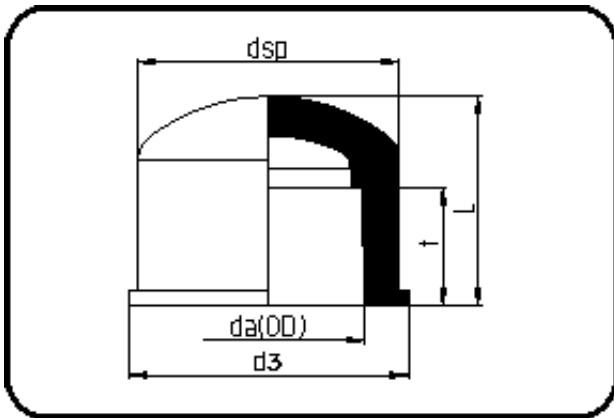


Fittings for Socket Welding



Code: 054

- End Cap
- injection moulded
- **Socket-welding**
- PVDF natural

Dimension	Code	Detail	Weight
63	30.054.0063.07	63 - MOP 20 bar	0.24

	Unit	Nominale	Tol+	Tol-
da(OD)	mm	63	0.00	0.00
L	mm	59	2.25	2.25
dsp	mm	81	1.50	1.50
t	mm	30	0.75	0.75
d3	mm	86	2.25	2.25
p	bar	20	0.00	0.00