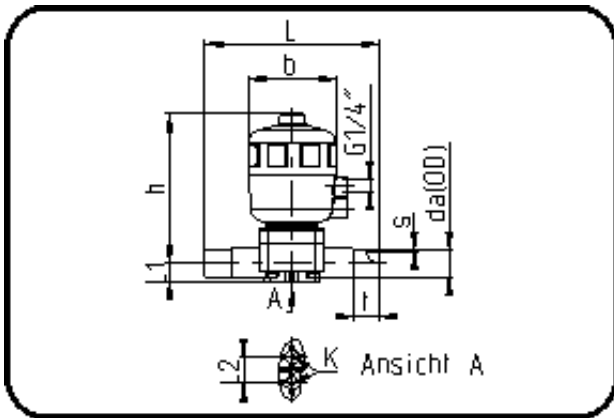


## Valves



Code: 341.2

- Diaphragm Valve Pneumatic
- double effective impulse
- EPDM/PTFE diaphragm
- **Butt + IR-welding**
- ECTFE natural

Dimension	Code	Detail	Weight
63	40.341.2063.21	63 - SDR21 MOP 10 bar	5.12

	Unit	Nominale	Tol+	Tol-
da(OD)	mm	63	0.60	0.00
L	mm	224	3.00	3.00
L1	mm	38,5	0.75	0.75
L2	mm	44	0.75	0.75
b	mm	153	1.50	1.50
DN	mm	50	0.00	0.00
s	mm	3	0.60	0.00
t	mm	54	1.50	1.50
Kv- l	min	875	0.00	0.00
h	mm	277	4.50	4.50
K	mm	M8	0.00	0.00
da	inch	2	0.00	0.00