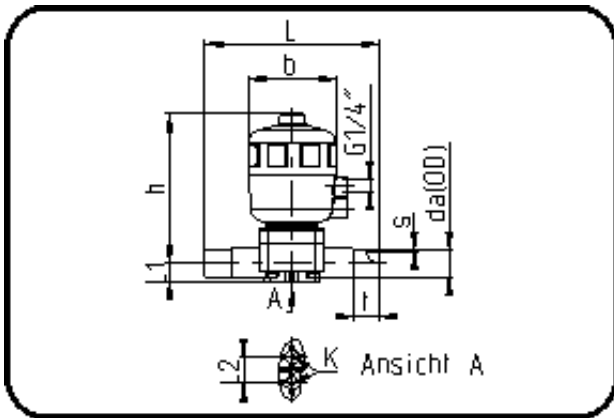


Valves



Code: 341.0

- Diaphragm Valve Pneumatic
- closed by resilience
- EPDM/PTFE diaphragm
- **Butt + IR + HPF-welding**
- **PVDF UHP natural**

| Dimension | Code | Detail | Weight |
|-----------|----------------|-----------------------|--------|
| 50 | 35.341.0050.21 | 50 - SDR21 MOP 10 bar | 6.40 |

| | Unit | Nominale | Tol+ | Tol- |
|--------|------|----------|------|------|
| da(OD) | mm | 50 | 0.40 | 0.00 |
| L | mm | 194 | 3.00 | 3.00 |
| L1 | mm | 32 | 0.75 | 0.75 |
| L2 | mm | 44 | 0.75 | 0.75 |
| b | mm | 153 | 1.50 | 1.50 |
| DN | mm | 40 | 0.00 | 0.00 |
| s | mm | 3 | 0.60 | 0.00 |
| t | mm | 48,3 | 1.50 | 1.50 |
| Kv- l | min | 500 | 0.00 | 0.00 |
| h | mm | 273 | 4.50 | 4.50 |
| K | mm | M8 | 0.00 | 0.00 |
| da | inch | 1,5 | 0.00 | 0.00 |