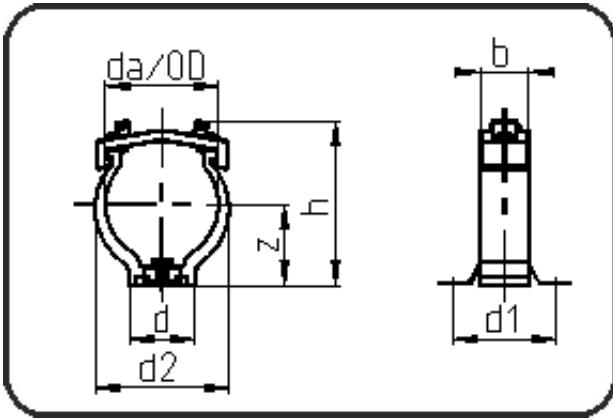


Backing Rings, Accessories



Code: 049

- Pipe Clip
- injection moulded
- Installation Accessory
- PP-FRP black

Dimension	Code	Detail	Weight
180	14.049.0180.00	180	0.99

	Unit	Nominale	Tol+	Tol-
da(OD)	mm	180	0.00	0.00
b	mm	60	0.00	0.75
d	mm	137	0.75	0.75
d1	mm	110	0.75	0.75
d2	mm	211	0.75	0.75
h	mm	249,5	2.25	2.25
z	mm	136	0.75	0.75