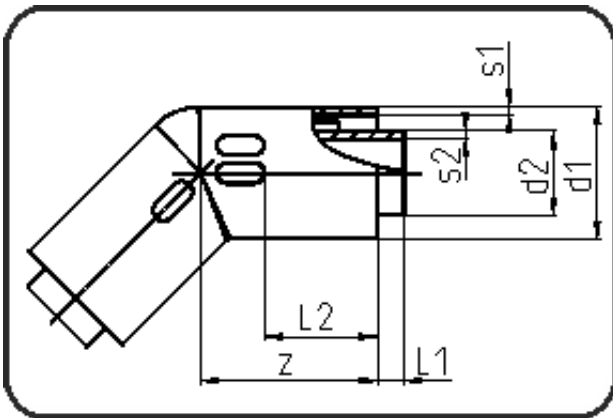


PE 100-RC Poly-Flo



Code: 191

- Poly-Flo Elbow 45°
- injection moulded
- **simultaneous + cascade welding**
- PE 100-RC black

Dimension	Code	Detail	Weight
160/110	70.191.1611.71	160/110 SDR17/11	1.93

	Unit	Nominale	Tol+	Tol-
L1	mm	10	1.00	1.00
L2	mm	73	3.00	3.00
d1	mm	160	1.50	0.00
s2	mm	10	1.10	0.00
d2	mm	110	1.00	0.00
s1	mm	9,5	1.10	0.00
z	mm	107	4.00	4.00