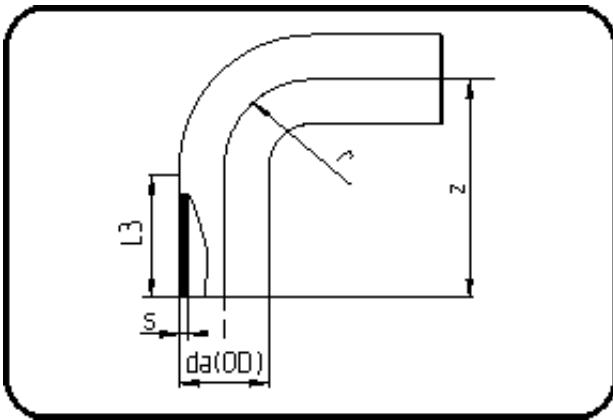


MULTI Fittings



Code: 068

- **MULTI-Bend 90°**
- long spigot
- injection moulded
- **Butt + E-socket-welding**
- **PPR grey**

Dimension	Code	Detail	Weight
180	11.068.0180.17	180X10,7 SDR17 ISO S-8	3.08

	Unit	Nominale	Tol+	Tol-
da(OD)	mm	180	1.70	0.00
L3	mm	109	6.00	6.00
r	mm	180	0.00	0.00
s	mm	10,7	1.20	0.00
z	mm	290,5	7.50	7.50