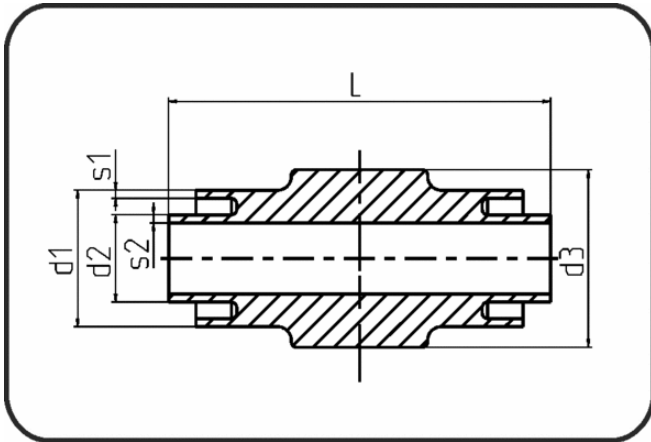


PE 100-RC Poly-Flo



Code: 196.3

- Poly-Flo
- Instrumentation Fitting
- machined
- **simultaneous + cascade welding**
- PE 100-RC black

Dimension	Code	Detail	d1 mm	d2 mm	s1 mm	s2 mm	L mm	d3 mm	Weight
50/32	70.196.5035.71	50/32 SDR17/11	50	32	3	3	140	65	0.23
90/63	70.196.9066.71	90/63 SDR17/11	90	63	5,4	5,8	140	90	0.49
160/110	70.196.1614.71	160/110 SDR17/11	160	110	9,5	10	140	160	1.46