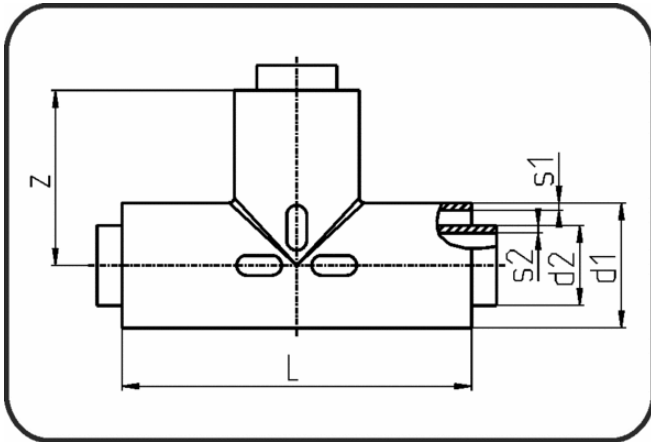


## PE 100-RC Poly-Flo



Code: 192

- Poly-Flo Tee
- injection moulded
- **simultaneous + cascade welding**
- PE 100-RC black

| Dimension | Code           | Detail           | z<br>mm | L<br>mm | s1<br>mm | s2<br>mm | d1<br>mm | d2<br>mm | Weight |
|-----------|----------------|------------------|---------|---------|----------|----------|----------|----------|--------|
| 50/32     | 70.192.5032.71 | 50/32 SDR17/11   | 73      | 146     | 3        | 3        | 50       | 32       | 0.17   |
| 90/63     | 70.192.9063.71 | 90/63 SDR17/11   | 100     | 200     | 5,4      | 5,8      | 90       | 63       | 0.78   |
| 160/110   | 70.192.1611.71 | 160/110 SDR17/11 | 155     | 310     | 9,5      | 10       | 160      | 110      | 3.34   |