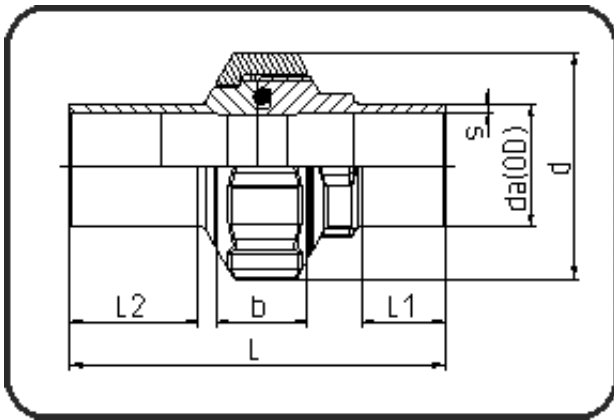


## Fittings



Code: 024.5

- Union Type 24-A
- FPM-sealing
- injection moulded
- **Butt + IR + HPF-welding**
- PVDF natural

| Dimension | Code           | Detail                | Weight |
|-----------|----------------|-----------------------|--------|
| 50        | 30.024.5050.21 | 50X3,0 SDR21 ISO S-10 | 0.30   |

|        | Unit | Nominale | Tol+ | Tol- |
|--------|------|----------|------|------|
| da(OD) | mm   | 50       | 0.00 | 0.00 |
| L      | mm   | 132      | 3.00 | 3.00 |
| L1     | mm   | 27       | 2.25 | 2.25 |
| L2     | mm   | 47       | 2.25 | 2.25 |
| b      | mm   | 35       | 1.50 | 1.50 |
| s      | mm   | 3        | 0.00 | 0.00 |
| d      | mm   | 82       | 0.00 | 0.00 |