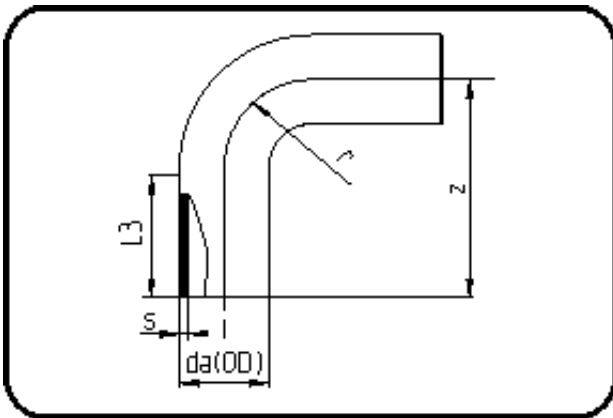


## MULTI Fittings



Code: 068

- **MULTI-Bend 90°**
- long spigot
- injection moulded
- **Butt + E-socket-welding**
- **PPR grey**

Dimension	Code	Detail	Weight
315	11.068.0315.11	315X28,6 SDR11 ISO S-5	19.82

	Unit	Nominale	Tol+	Tol-
da(OD)	mm	315	2.90	0.00
L3	mm	158	4.00	4.00
r	mm	315	0.00	0.00
s	mm	28,6	3.00	0.00
z	mm	475	5.00	5.00