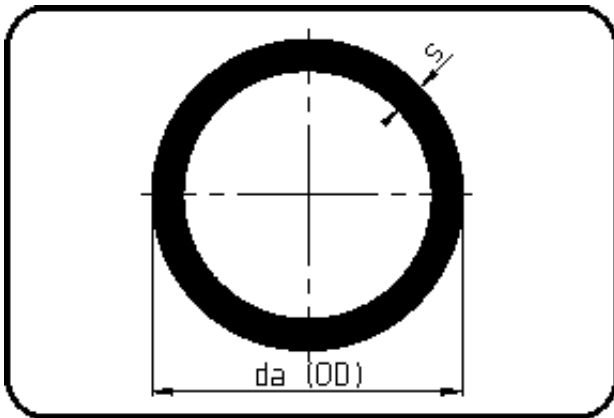


Pipes



Code: 705

- Pipe 5m
- flame retardant & el-conduct.
- extruded
- **PPs-el black**

Dimension	Code	Detail	Weight
110	19.705.0110.17	110X6,3 SDR17,6 MOP<3,5bar	2.56

	Unit	Nominale	Tol+	Tol-
da(OD)	mm	110	1.00	0.00
s	mm	6,3	0.80	0.00