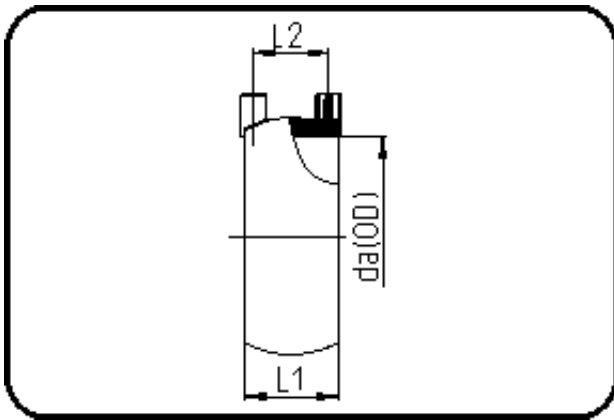


Electro Fusion Fittings



Code: 073

- HPF-E-Socket
- injection moulded
- HPF-welding
- PVDF UHP natural

Dimension	Code	Detail	Weight
32	35.073.0032.21	32X2,4 MOP 16 bar	0.02

	Unit	Nominale	Tol+	Tol-
da(OD)	mm	32,35	0.00	0.00
L1	mm	20,5	0.75	0.75
L2	mm	15	0.00	0.00