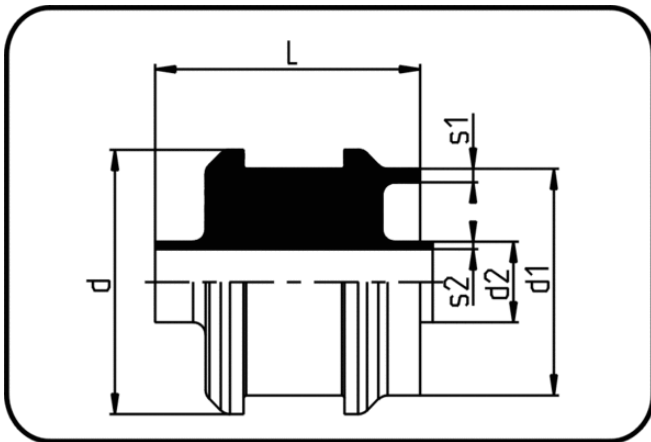


## PE/PE Simultaneous Welding



Code: 138

- Dog Bone Type II-A, Collar
- with connection to single-pipe
- machined
- **Simultaneous-welding**
- PE 100-RC/PE 100-RC

| Dimension | Code           | Detail           | L<br>mm | s1<br>mm | s2<br>mm | d<br>mm | d1<br>mm | d2<br>mm | Weight |
|-----------|----------------|------------------|---------|----------|----------|---------|----------|----------|--------|
| 160/90    | 82.138.1690.37 | 160/90 SDR33/17  | 130     | 4,9      | 5,4      | 180     | 160      | 90       | 1.66   |
| 160/90    | 82.138.1690.31 | 160/90 SDR33/11  | 130     | 4,9      | 8,2      | 180     | 160      | 90       | 1.37   |
| 315/200   | 82.138.3120.31 | 315/200 SDR33/11 | 150     | 9,7      | 18,2     | 340     | 315      | 200      | 5.30   |
| 355/250   | 82.138.3525.31 | 355/250 SDR33/11 | 110     | 10,9     | 22,8     | 380     | 355      | 250      | 6.61   |