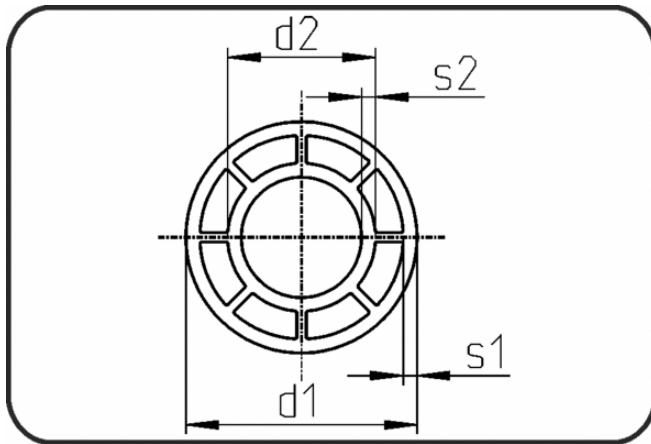


PPR Poly-Flo



Code: 785.1

- Poly-Flo Pipe 5m (16.4')
- extruded
- **simultaneous + cascade welding**
- PPR grey

Dimension	Code	Detail	s1 mm	s2 mm	d1 mm	d2 mm	Weight
50/32	11.785.5032.71	50/32 SDR17/11	3	3	50	32	0.79
90/63	11.785.9063.71	90/63 SDR17/11	5,4	5,8	90	63	2.52
160/110	11.785.1611.71	160/110 SDR17/11	9,5	10	160	110	7.52